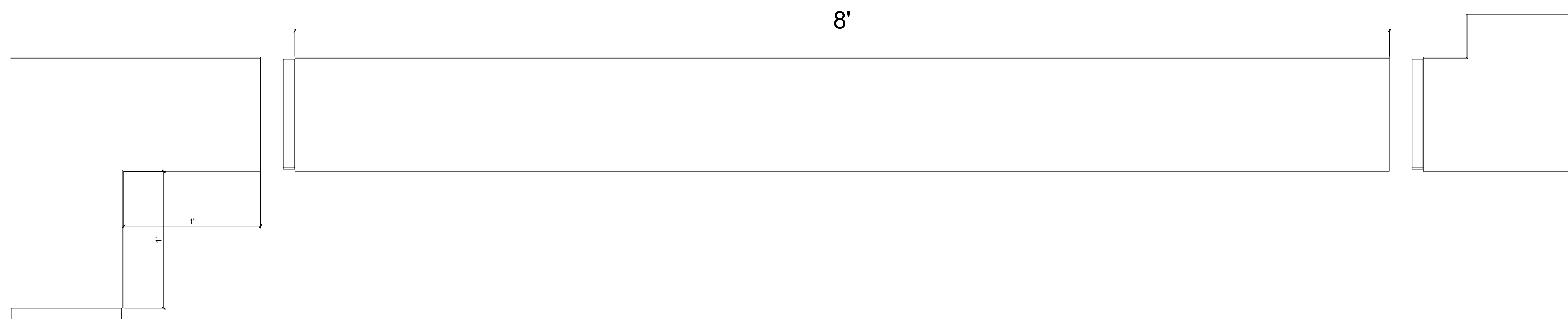


Fiberglass Cornice CR106x8 available in Paint-Grade, Pre-Finished Gel Coat, Stone Finish, or Granite Finish 2' H x 10" P x 96" L

Manufactured by Architectural Augmentations, LLC

T. 630-410-1539 F. 877-509-7459

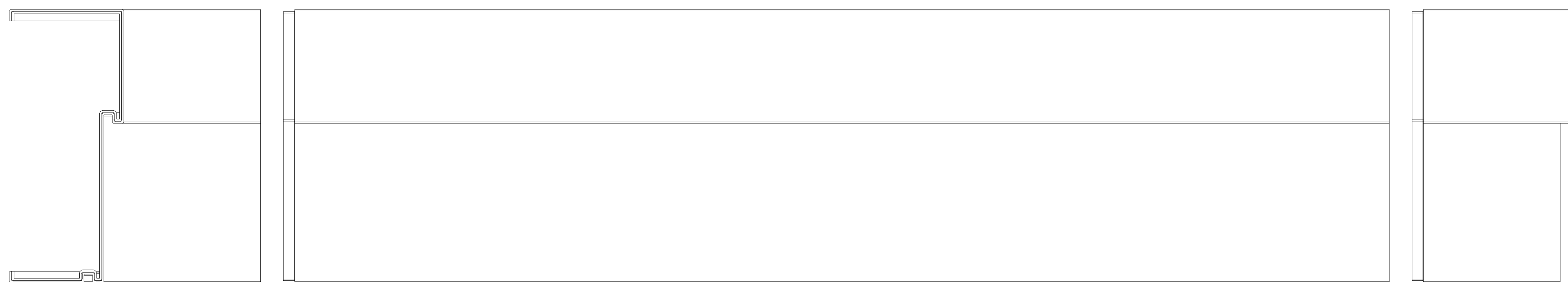
www.frpcornice.com sales@frpcornice.com



1 CR106x8 Inside Corner Top View
SCALE 1:1

2 Top View CR106x8
SCALE 1:1

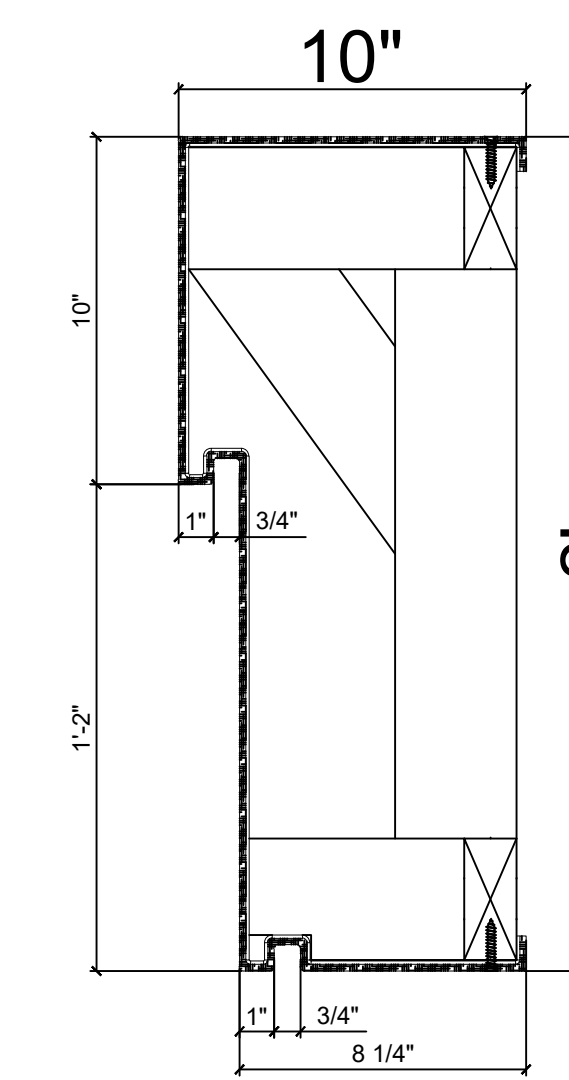
3 CR106x8 Outside Corner Top View
SCALE 1:1



4 CR106x8 Elevation of Inside Corner
SCALE 1:1

5 CR106x8 Elevation
SCALE 1:1

6 CR106x8 Elevation of Outside Corner
SCALE 1:1

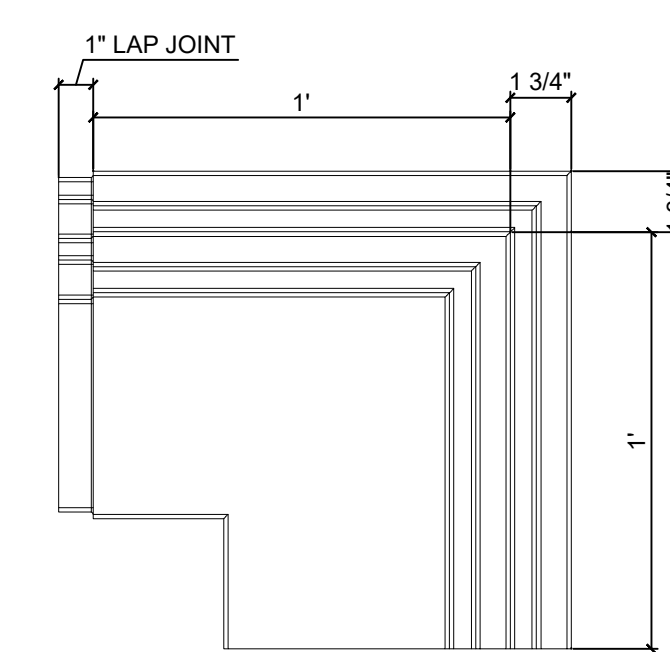


7 CR106x8 Cross Section



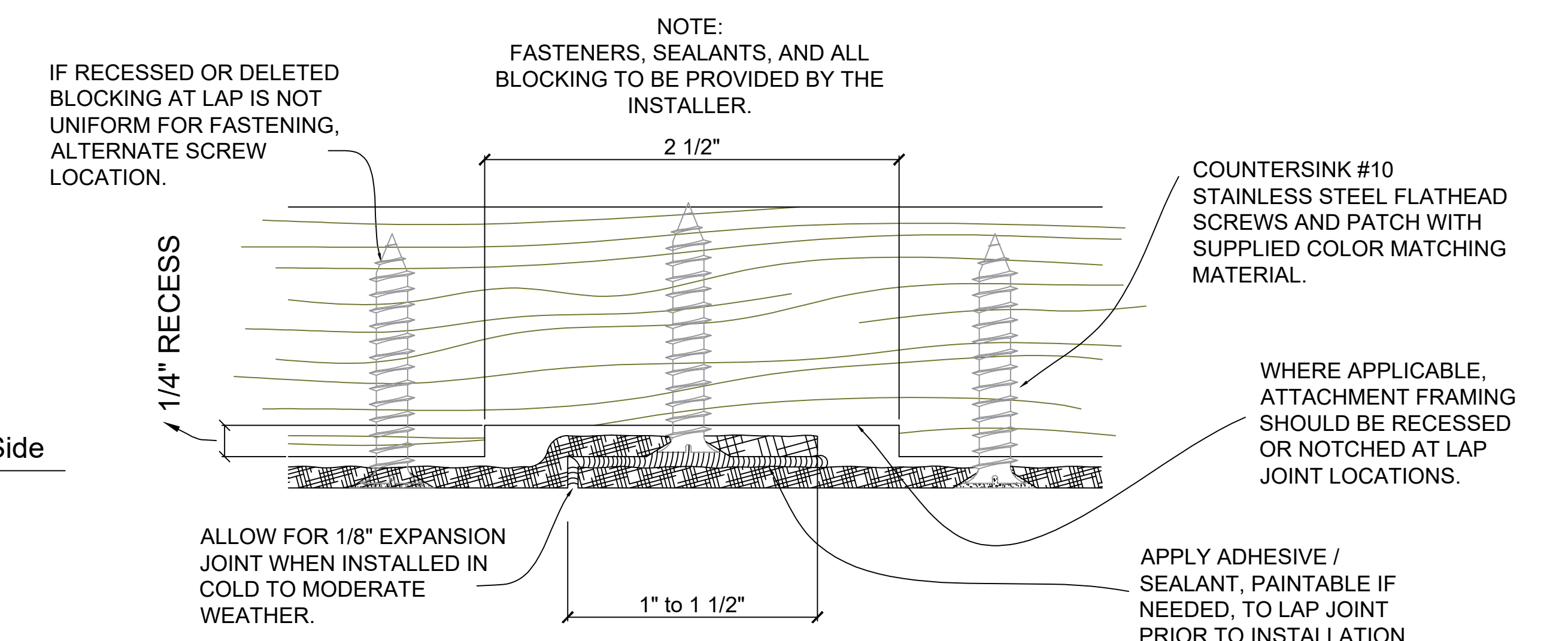
8 CR106x8 Inside Corner Under Side
SCALE 1:1

9 CR106x8 Underside View
SCALE 1:1



10 CR106x8 Outside Corner Under Side
SCALE 1:1

This is a recommendation. Actual framing to be determined by Engineer.



11 Typical Lap Joint Detail
Not to Scale