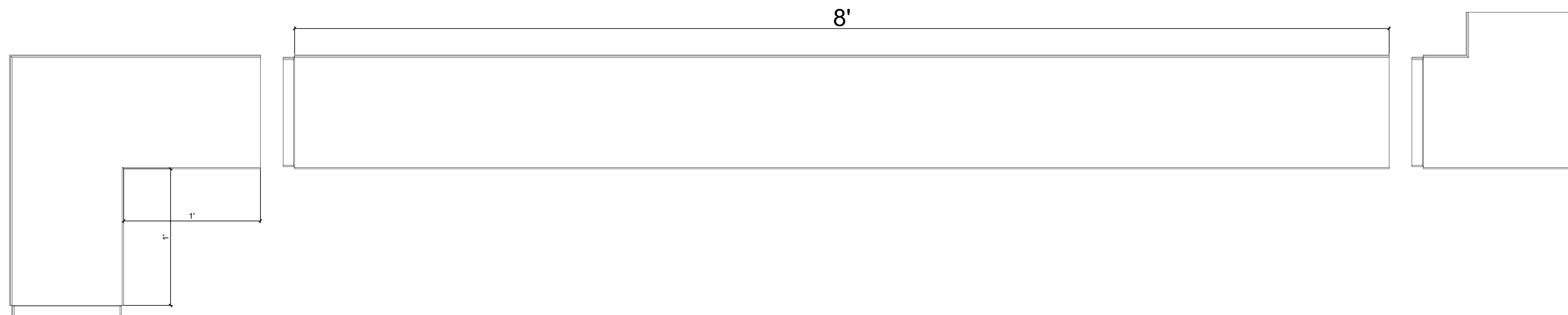


Fiberglass Cornice CR107x8 available in Paint-Grade, Pre-Finished Gel Coat, Stone Finish, or Granite Finish 2' 6" H x 9-15/16" P x 96" L

Manufactured by Architectural Augmentations, LLC
T. 630-410-1539 F. 877-509-7459
www.frpcornice.com sales@frpcornice.com



1 CR107x8 Inside Corner Top View
SCALE 1:1

2 Top View CR107x8
SCALE 1:1

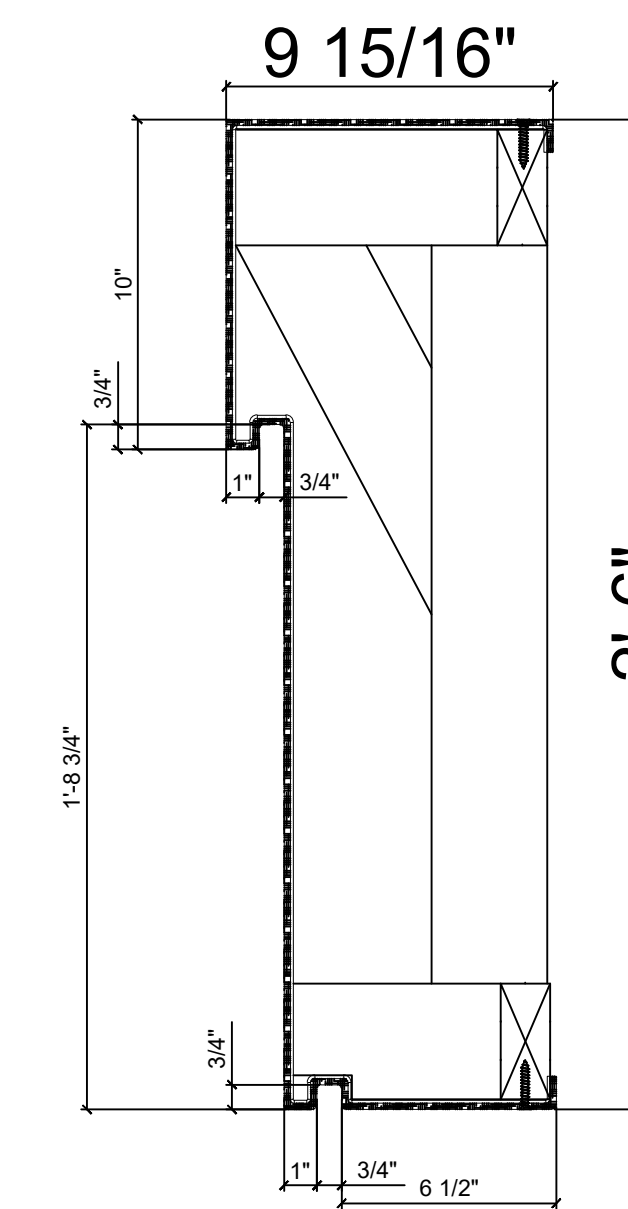
3 CR107x8 Outside Corner Top View
SCALE 1:1



4 CR107x8 Elevation of Inside Corner
SCALE 1:1

5 CR107x8 Elevation
SCALE 1:1

6 CR107x8 Elevation of Outside Corner
SCALE 1:1

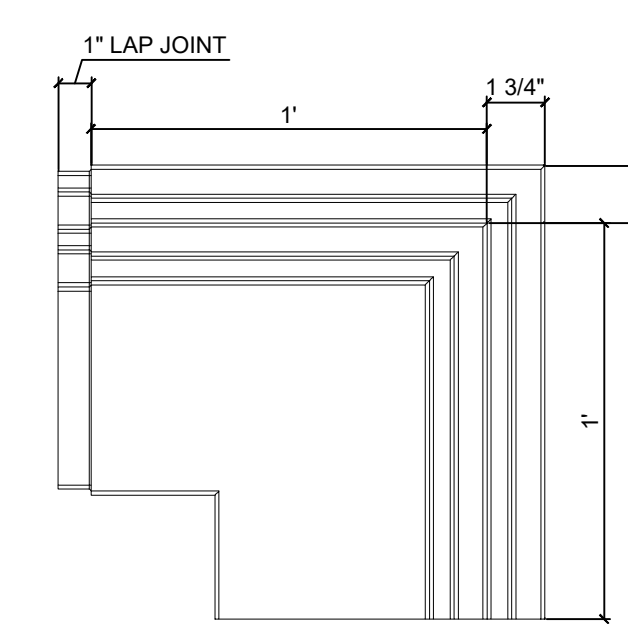


7 CR107x8 Cross Section
SCALE 1:1



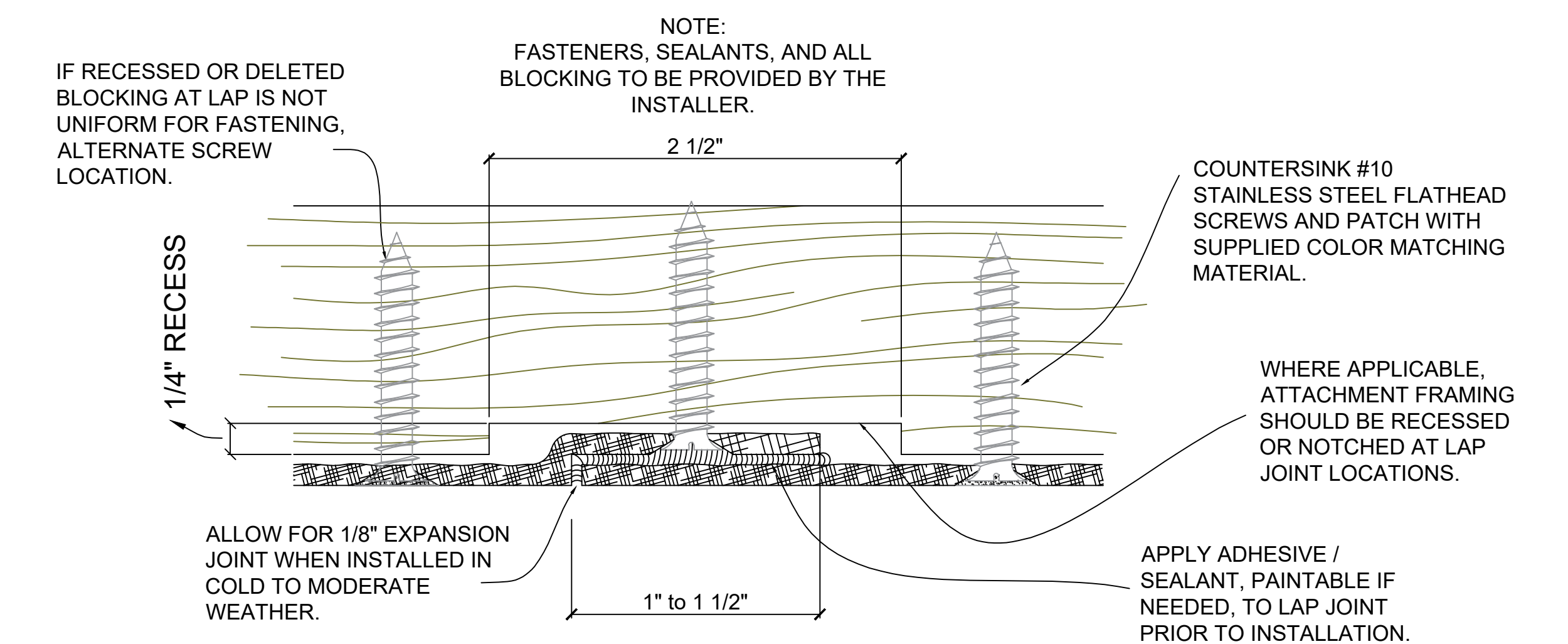
8 CR107x8 Inside Corner Under Side
SCALE 1:1

9 CR107x8 Underside View
SCALE 1:1



10 CR107x8 Outside Corner Under Side
SCALE 1:1

This is a recommendation. Actual framing to be determined by Engineer.



11 Typical Lap Joint Detail
Not to Scale