

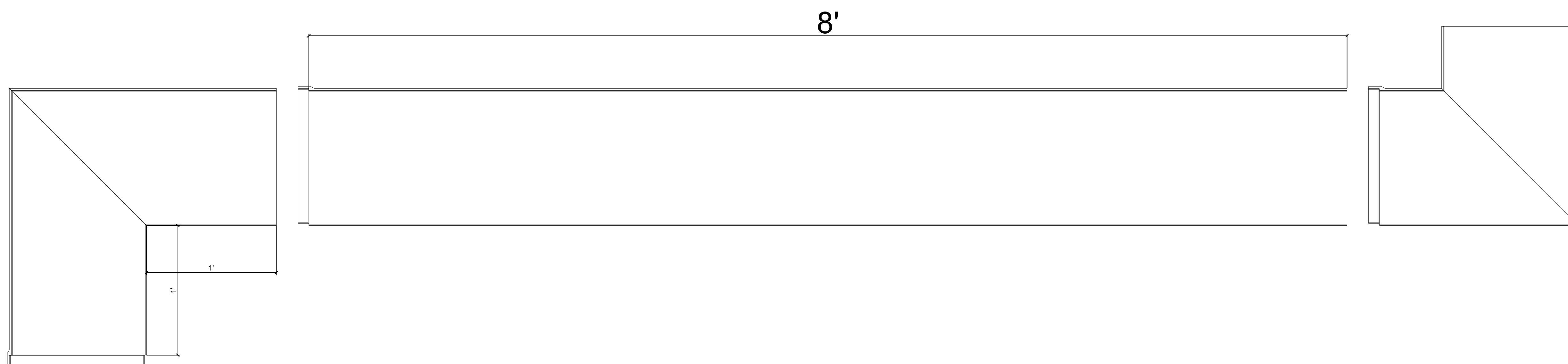
Fiberglass Cornice CR110x8 available in Paint-Grade, Pre-Finished Gel Coat, Stone Finish, or Granite Finish

13-3/4" H x 12-7/8" P x 96" L

Manufactured by Architectural Augmentations, LLC

T. 630-410-1539 F. 877-509-7459

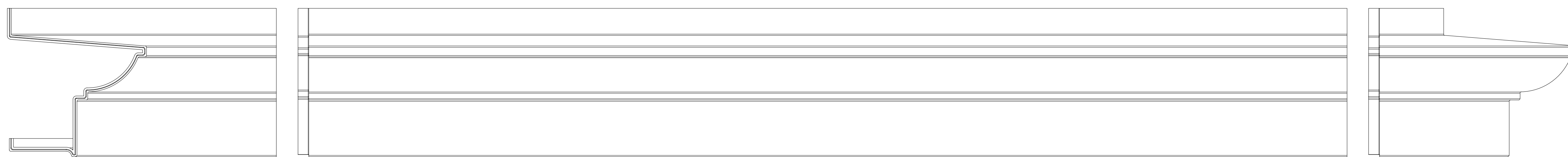
www.frpcornice.com sales@frpcornice.com



1 CR-110X8 Inside Corner Top View
SCALE 1:1

2 Top View CR110x8
SCALE 1:1

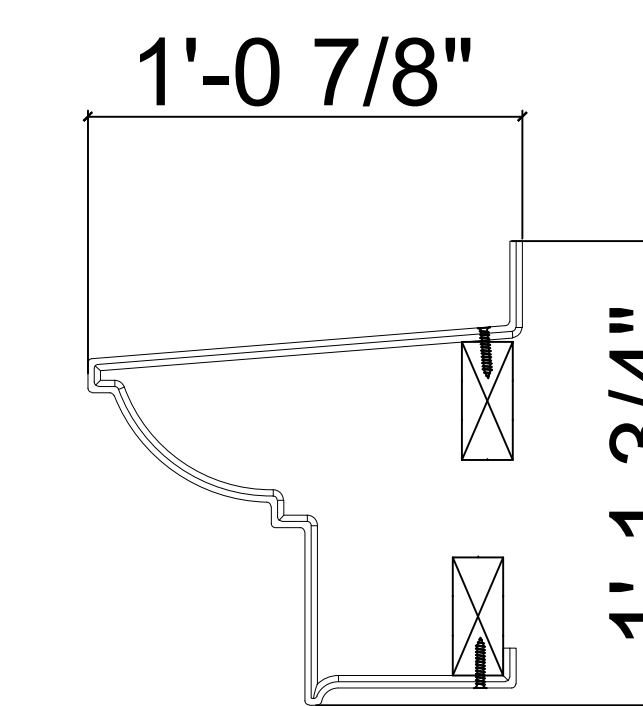
3 CR110x8 Outside Corner Top View
SCALE 1:1



4 CR110x8 Elevation of Inside Corner
SCALE 1:1

5 CR110x8 Elevation
SCALE 1:1

6 CR110x8 Elevation of Outside Corner
SCALE 1:1

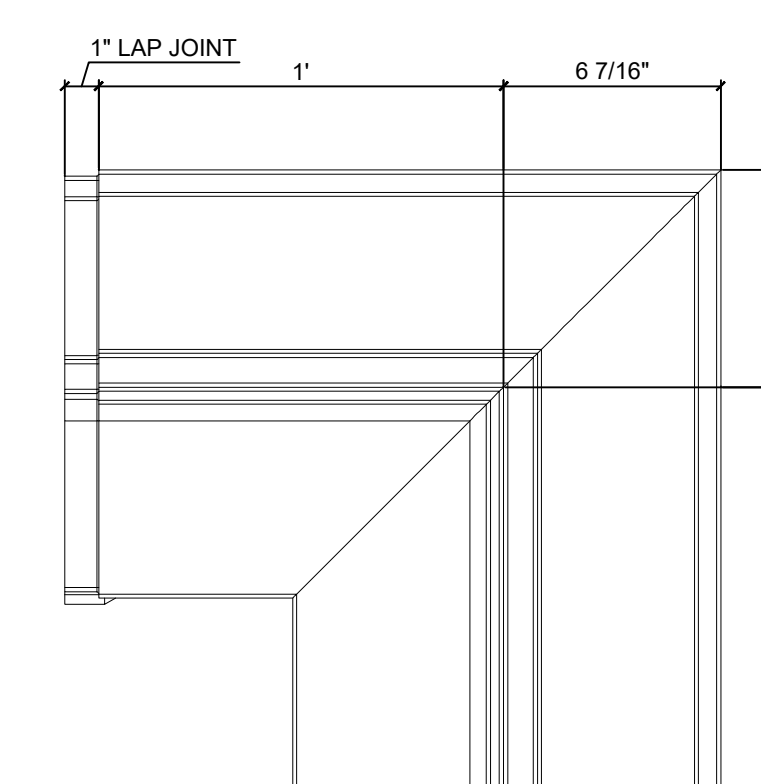


7 SECTION THRU CR-110X8
SCALE 1:1



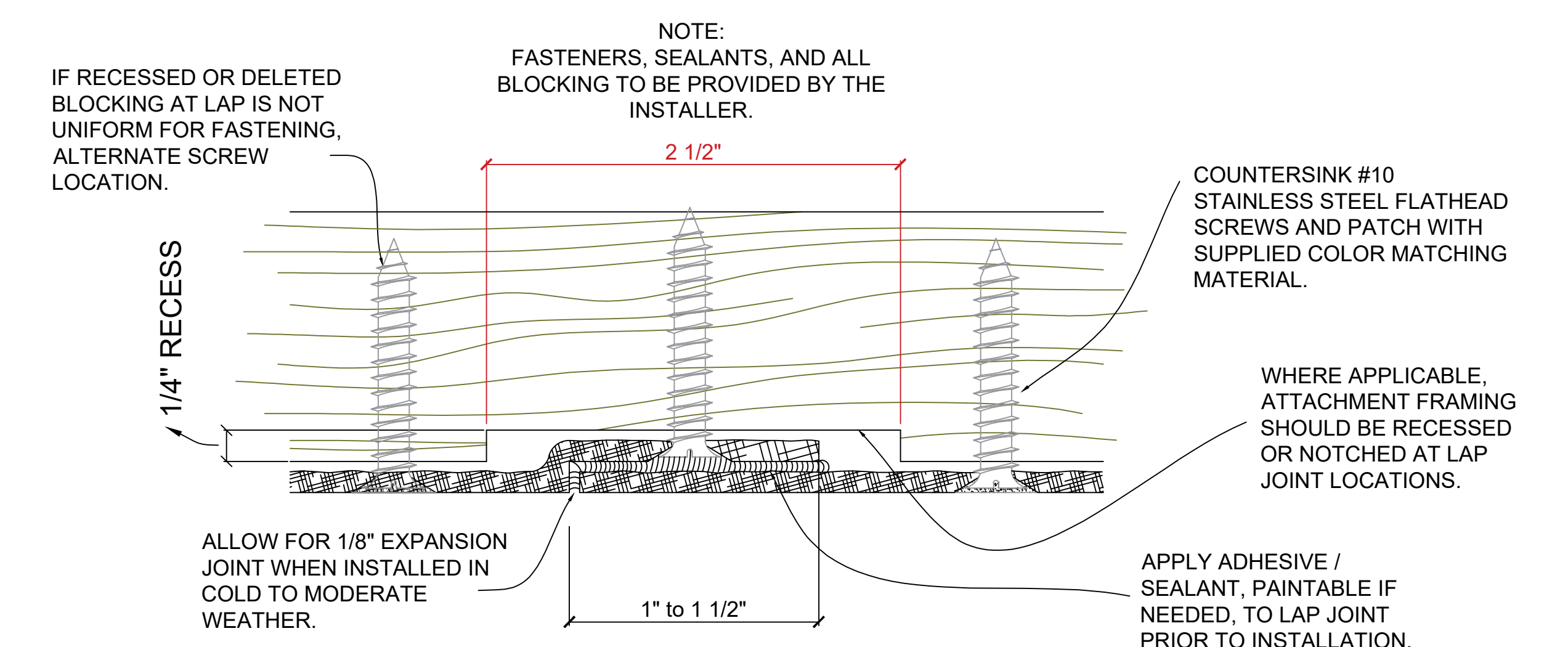
8 CR110x8 Inside Corner Under Side
SCALE 1:1

9 CR110x8 Underside View
SCALE 1:1



10 CR110x8 Outside Corner Under Side
SCALE 1:1

This is a recommendation. Actual framing to be determined by Engineer.



11 Typical Lap Joint Detail
Not to Scale